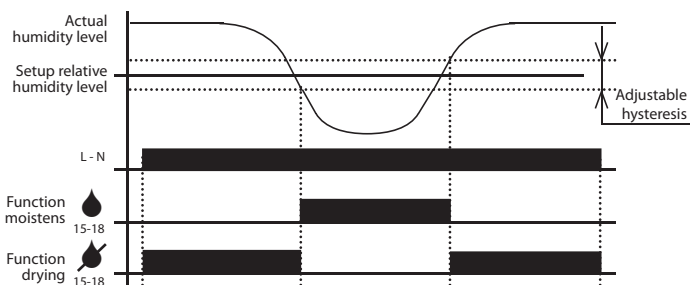




EAN code
RHV-1: 8595188140584

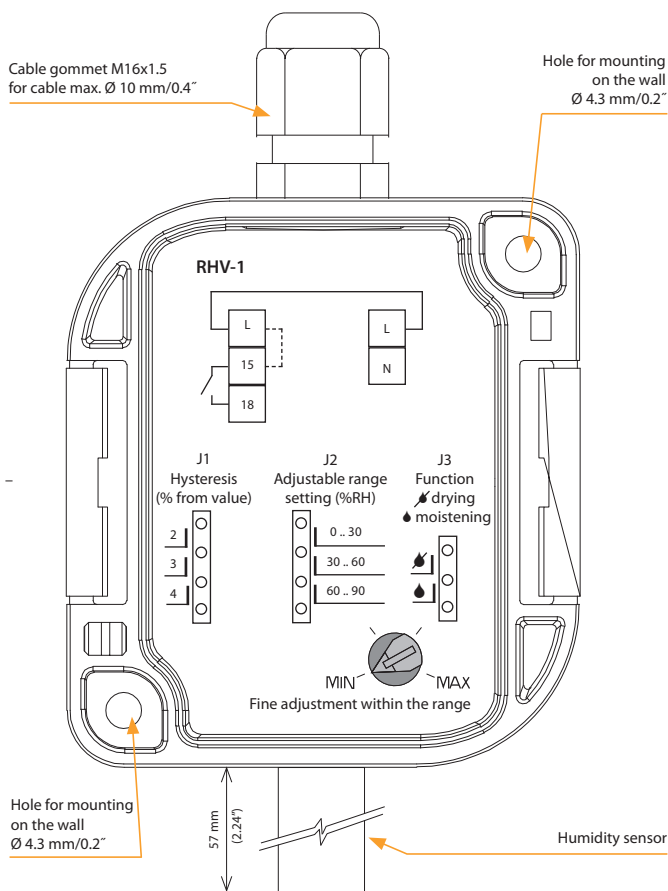
Technical parameters		RHV-1
Supply		
Supply terminals:	L - N	
Voltage range:	AC 230 V (50-60 Hz)	
Input (apparent/loss):	max. 6 VA/0.7 W	
Max. dissipated power:	2.5 W (Un + terminals)	
Input voltage range:	- 15 % to +10 %	
Setting function Setting function Jumper J3		
Function - :	moistening	
Function - :	drying	
Set. the scale of relative humidity Humidity setting Jumper J2		
range 1:	0 to 30 % RH	
range 2:	30 to 60 % RH	
range 3:	60 to 90 % RH	
Slight setting of relative humidity:	Relative Humidity Setting Potentiometer	
Hysteresis 2, 3, 4 % from setup rate		
Hysteresis setting:	Jumper J1	
Output		
Output contact:	1x NO-SPST (AgSnO ₂)	
Current rating:	12 A/AC1	
Switching output:	3000 VA/AC1, 384 W/DC	
Peak current:	30 A/< 3 s	
Switched voltage:	250 V AC/24 V DC	
Mechanical life:	30.000.000 ops.	
Electrical life:	100.000 ops.	
Other information		
Operation temperature:	-30 .. 60 °C (-22 ..140 °F)	
Storing temperature:	-30 .. 70 °C (-22 ..158 °F)	
Electrical strength:	4 kV (supply-output)	
Operation position:	sensor-side down	
Protection degree:	IP65	
Overvoltage category:	III.	
Pollution degree:	2	
Max. cable size (mm ²):	max. 1x 2.5, max. 2x 1.5/ with sleeve max. 1x 2.5 (AWG 12)	
Suggested power-supply cable:	CYKY 3x2.5 (CYKY 4x1.5)	
Dimensions:	153 x 62 x 34 mm (6" x 2.4" x 1.3")	
Weight:	124 g (4.4 oz.)	
Standards:	EN 60255-1, EN 60255-26, EN 60255-27, IEC 60730-2-9	

Function

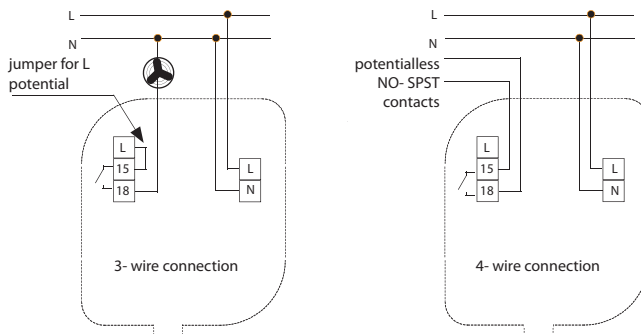


- Single hygrostat is used for regulation of humidity in harsh environments (washdown, greenhouse, refrigeration).
- External version in IP65, box for mounting on the wall.
- Built-in hygro-sensor is integrated in the device.
- Two functions adjustable by jumper: moistening and drying.
- 3 adjustable relative humidity ranges, fine-tuning of relative humidity within the range by potentiometer.
- 3 adjustable (by jumper) levels of hysteresis.

Description



Connection



Description of function

Device is supplied with a standard jumper.
For the device to operate correctly, it must be mounted with the sensor side down.