

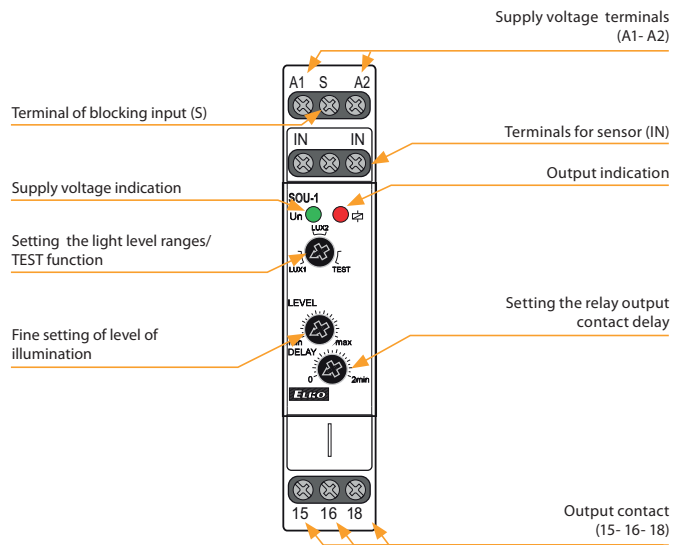


EAN code
 SOU-1/230V + SKS-100: 8595188121002
 SOU-1/UNI + SKS-100: 8595188180467
 Photosensor SKS-100: 859403037288

| Technical parameters | | SOU-1 |
|---|-----|---|
| Supply terminals: | | A1 - A2 |
| Voltage range: | UNI | AC/DC 12 - 240 V (AC 50-60 Hz) |
| Power input max.: | | AC 1.5 VA/0.9 W |
| Voltage range: | 230 | AC 230 V (50-60 Hz) |
| Power input max.: | | 3 VA/2 W |
| Max. dissipated power (Un + terminals): | | 4 W |
| Supply voltage tolerance: | | -15 %; +10 % |
| Supply indication: | | green LED |
| Time delay: | | 0 - 2 min |
| Time delay setting: | | potentiometer |
| Illumination range LUX1: | | 1 - 100 Lx |
| Illumination range LUX2: | | 100 - 50 000 Lx |
| Output | | |
| Number of contacts: | | 1x changeover (AgSnO ₂) |
| Current rating: | | 16 A/AC1; 1 HP 240 Vac, 1/2 HP 120 Vac; PD. B300 |
| Breaking capacity: | | 4000 VA/AC1, 384 W/DC |
| Inrush current: | | 30 A/< 3 s |
| Switching voltage: | | 250 V AC/24 V DC |
| Output indication: | | red LED |
| Mechanical life: | | 10.000.000 ops. |
| Electrical life (AC1): | | 100.000 ops. |
| Control | | |
| Power the control input: | | 0.3 W |
| Load between S-A2: | | yes |
| Control. terminals: | | A1 - S |
| Impulse length: | | min. 25 ms/max. unlimited |
| Reset time: | | 150 ms |
| Other information | | |
| Operating temperature: | | -20 .. +55 °C (-4 .. 131 °F) |
| Storage temperature: | | -30 .. +70 °C (-22 .. 158 °F) |
| Dielectric strength: | | 4 kV (supply - output) |
| Operating position: | | any |
| Mounting: | | DIN rail EN 60715 |
| Protection degree: | | IP40 from front panel/IP20 terminals |
| Sensor cable length: | | max. 50 m (standard wire) |
| Overtoltage category: | | III. |
| Pollution degree: | | 2 |
| Max. cable size (mm ²): | | solid wire max. 1x 2.5 or 2x 1.5/ with sleeve max. 1x 2.5 (AWG 12) |
| Dimensions: | | 90 x 17.6 x 64 mm (3.5 x 0.7 x 2.5 inch) |
| Weight: | | (UNI): 66 g (2.3 oz.)/(230 V): 63 g (2.2 oz.) |
| Dimensions of sensor SKS-100: | | 58 x Ø 24 mm (2.3" x Ø 0.9") |
| Weight of sensor SKS-100: | | 20 g (0.5 oz.) |
| Standards: | | EN 60669-1, EN 60669-2-1 |

- Is used to control lights on the basis of ambient light intensity.
- Used for switching street illumination and garden lights, illumination of advertisements, shop windows, etc.
- Level of ambient intensity is monitored by an external sensor SKS-100 and output is switched according to set level on the device.
- Control input for additional control, e.g. time switch, preswitch etc.
- Level of illumination adjustable in two ranges:
1 - 100 lx and 100 - 50000 lx.
- Adjustable time delay to eliminate short term fluctuation in illumination.
- External sensor IP65 suitable for mounting on the wall (cover and holder of a sensor are a part of the package).

Description

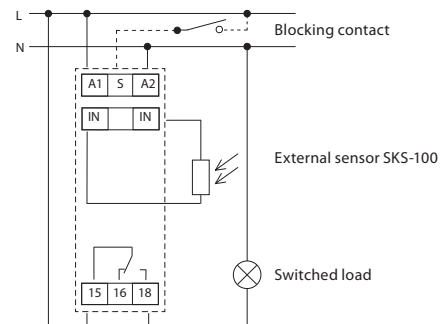


LUX1: Range 1 - 100 Lx.

LUX2: Range 100 - 50 000 Lx.

TEST: By switching to position TEST all function are switched off and switching contacts of output relay are switched on. The function TEST is used for testing of right connection of load and for verification of failure (breaking of the bulb).

Connection



Function

